
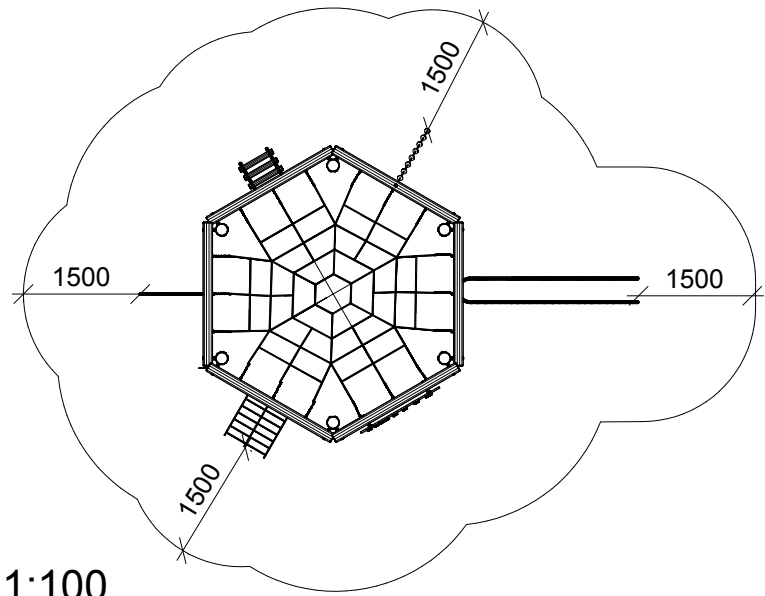
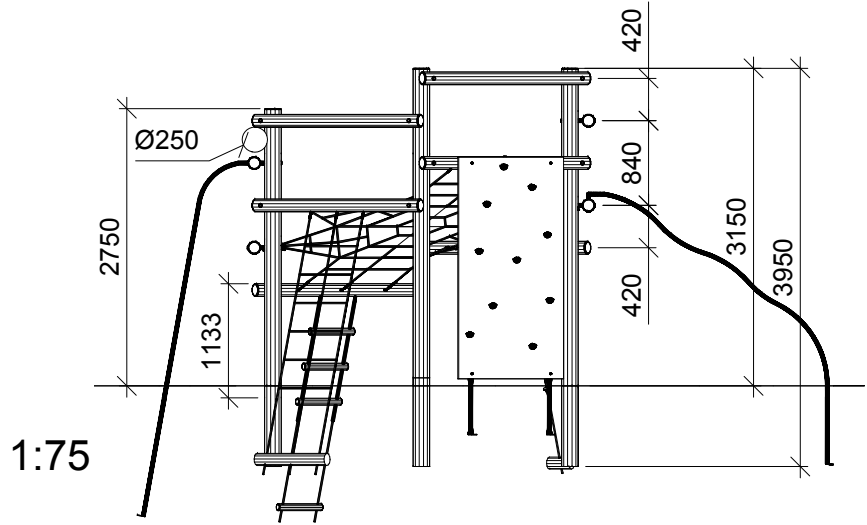
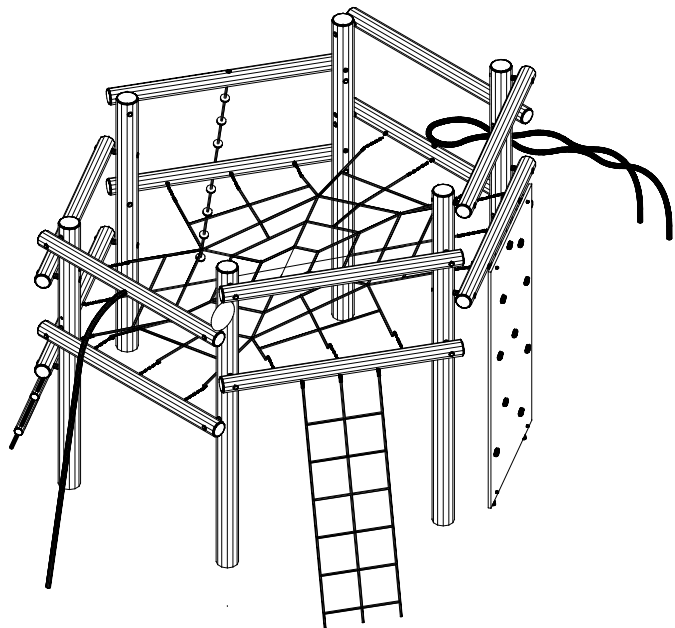


<b>NORLEG</b>	
<b>Robinia klatresystem 6</b>	
LE 20400 Rev udgave	
30.04.2004	REV. 17.03.2017

< 2300



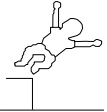
≥ EN 1176



This drawing is the property of NORLEG and pursuant to current legislation may not be copied, transferred to or used by any third party. Should this drawing be used, a fee of 10% of the assumed contract price will be charged.

<b>NORLEG</b>	
Robinia klatresystem 6	
LE 20400	
30.04.2004	REV. 12.04.2016

< 2300



≥ EN 1176



This drawing is the property of NORLEG and pursuant to current legislation may not be copied, transferred to or used by any third party. Should this drawing be used, a fee of 10% of the assumed contract price will be charged.